

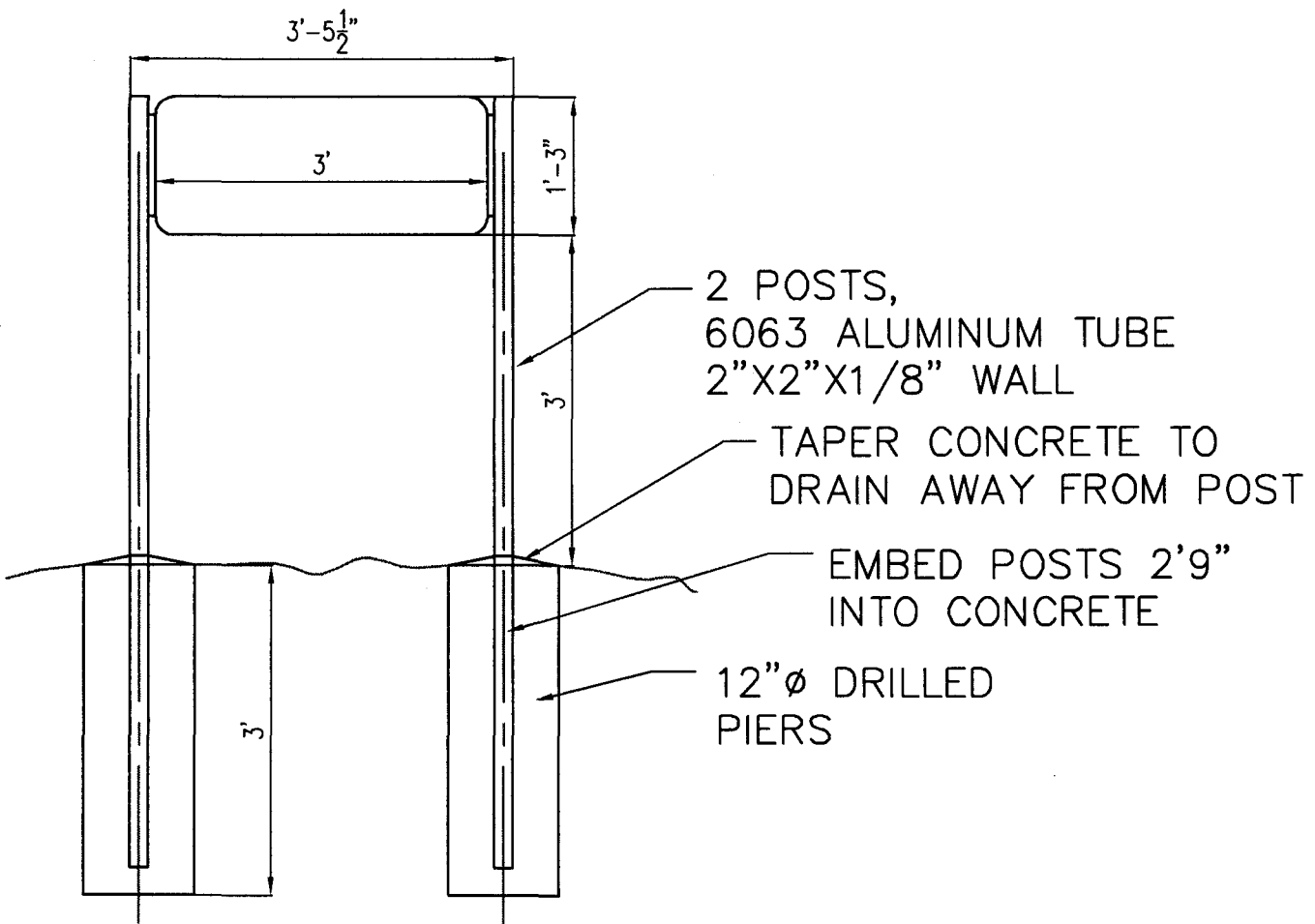
I HEREBY CERTIFY THAT THE ABOVE SIGN
STRUCTURAL DESIGN MEETS THE REQUIREMENTS
OF THE INTERNATIONAL CODES PER ASCE 7-5.
FOR 120 MPH, 3 SECOND GUST WINDS.
EXPOSURE "C"



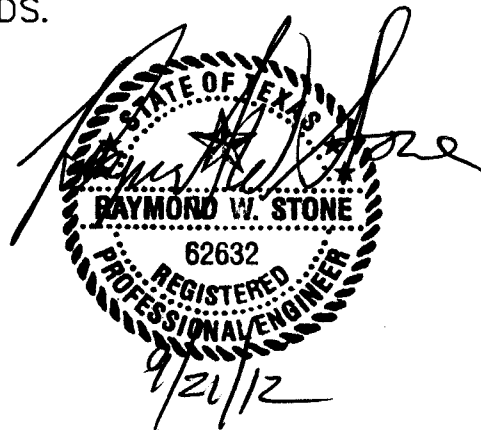
R.W. STONE, ENGINEER, PLLC
2072 FM 2725
INGLESIDE, TX. 78362
REGISTERED FIRM #1627
(361) 758-0310

CCSW ARCHITECTURAL GRAPHICS
502 S. Staples Sreet
Corpus Christi, Tx. 78401
(361) 322-4515

1



I HEREBY CERTIFY THAT THE ABOVE SIGN
STRUCTURAL DESIGN MEETS THE REQUIREMENTS
OF THE INTERNATIONAL CODES PER ASCE 7-5.
FOR 159.2 MPH, 3 SECOND GUST WINDS.
EXPOSURE "C"



R.W. STONE, ENGINEER, PLLC
2072 FM 2725
INGLESIDE, TX. 78362
REGISTERED FIRM #1627
(361) 758-0310

CCSW ARCHITECTURAL GRAPHICS
502 S. Staples Sreet
Corpus Christi, Tx. 78401
(361) 322-4515

1